

Notes:



SIAT Spa
Via Puecher 22, 22078 Turate - Como
www.siat.com
www.shop.siat.com

SIAT S.p.A is recognised worldwide as a top-class machine manufacturer for secondary packaging and produces more than 17,000 machines per year, and has done since 1970. Our product range includes semi-automatic as well as fully automatic machines like Case Sealers and Case Erectors, Stretch Wrappers, Strapping Tools / Machines, Flexographic Printing Machines and Tape Dispensers. The company is present in more than 100 countries and is constantly investing worldwide to meet customers actual and future demands.



FOLLOW US



BoxMaster™

Reliability >>>> Productivity >>>> Robustness >>>>

DATASHEET

SAFE • STRONG • SMART

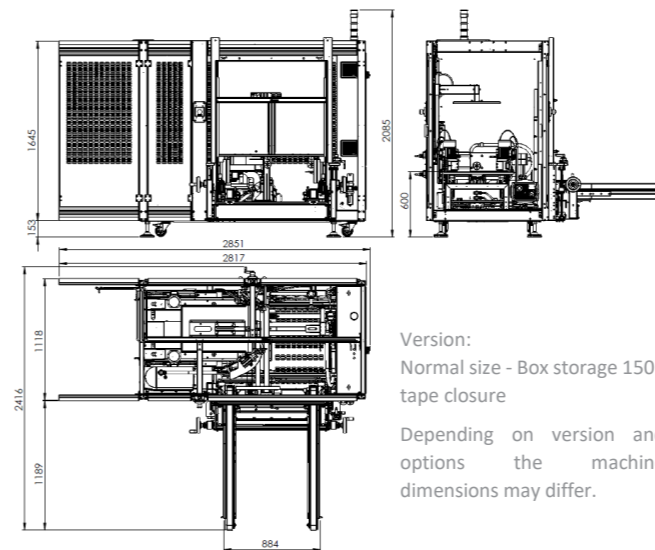
Fully-Automatic Case-Erector

BoxMaster™ is an automatic case erector designed to form and seal with adhesive tape or hot melt the bottom of boxes. The machine runs at a variable speed of up to 1100 boxes/hour according to box dimensions. Machine adjustments are fast, simple and repeatable.

KEY FEATURES

- ✓ **Safety First** – BoxMaster™ incorporates several safety features as standard
- ✓ **Production capacity** – standard box storage capacity of 150 boxes, 265 boxes as option
- ✓ **Production throughput** – output up to 1100 boxes/hour
- ✓ **Production flexibility** – manage boxes from 150x130x80 till 620x500x500 (depending on the model)
- ✓ **Customized programs** – customizable programs with advanced settings.
- ✓ **Easy-to-use** – controlled by PLC and HMI, mechanical setting with counter
- ✓ **Modular system** – meeting your individual needs
- ✓ **Easy installation** – delivered full assembled, with wheels

DIMENSIONS



Machine Dimensions (mm)		
	Normal size	Big size
bench height	600 / 800	600 / 800
max. height	2.085 / 2.285	2.085 / 2.285
max. width (box storage 150)	2.416	2.766
max. width (box storage 265)	3.016	3.366
max. length (tape closure)	2.851	2.972
max. length (hot-melt closure)	3.816	3.937



TOUCH SCREEN DISPLAY



- 7" touch screen control panel
- Full Siemens architecture
- Automatic, manual and step by step working mode
- Customizable programs
- Boxes counter
- Help and diagnostics
- Production throughput visualization



03.2022 - All information without guarantee. Subject to technical modifications.

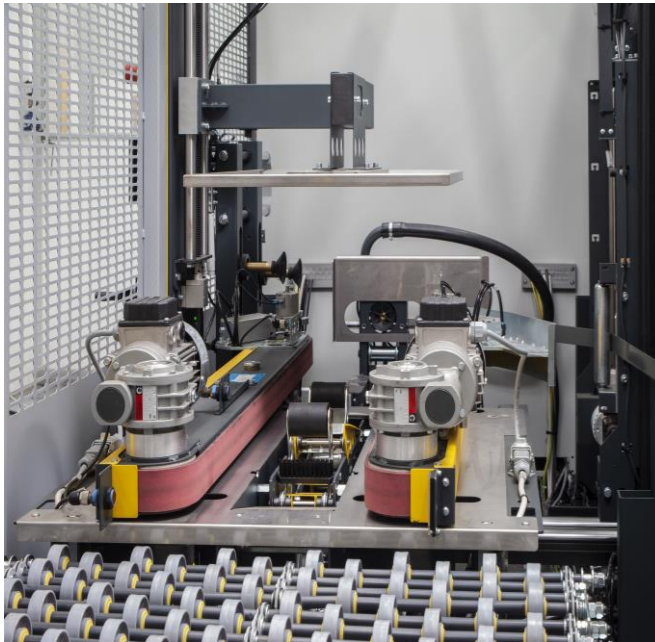
BoxMaster™

DATASHEET



FRAME

Open frame structure, with stiff and strong chassis. This allows a full visibility and access to the mechanical part of the machine for easy maintenance. Wheels on the structure allow an easy positioning of the machine.



FENCES

Clean and modern design. Large doors to enable full access to the inside of the machine.



ELECTRICAL & PNEUMATICAL SUPPLY

Version	Vacuum System	Power Supply	Power kW	Amps	Air Supply	Air Consumption
AC motors	Pump	380/415 V - 50 Hz - 3 PH+N	1,2	4,8	6 bar	6 NL/Cycle
	Venturi		1,9	7,6		30 NL/Cycle
Brushless motors	Pump		2,4	10,2		6 NL/Cycle
	Venturi		3,2	13		30 NL/Cycle

BOX STORAGE

Lean and strong design to allow easy box loading. Counter on the adjustment for fast and precise box dimension setup.

The standard box storage can store up to 150 boxes, the optional extended version can store up to 265 boxes.



CARRIAGE AXES

Strong design with double 40 mm diameter shaft and ball bushing to allow a precise, smooth and fast movement.



As a part of our policy of continuous improvement, we reserve the right to alter design and specifications without prior notice. This datasheet is for descriptive purpose only. Some of the items pictured in this brochure are optional and not standard equipment.

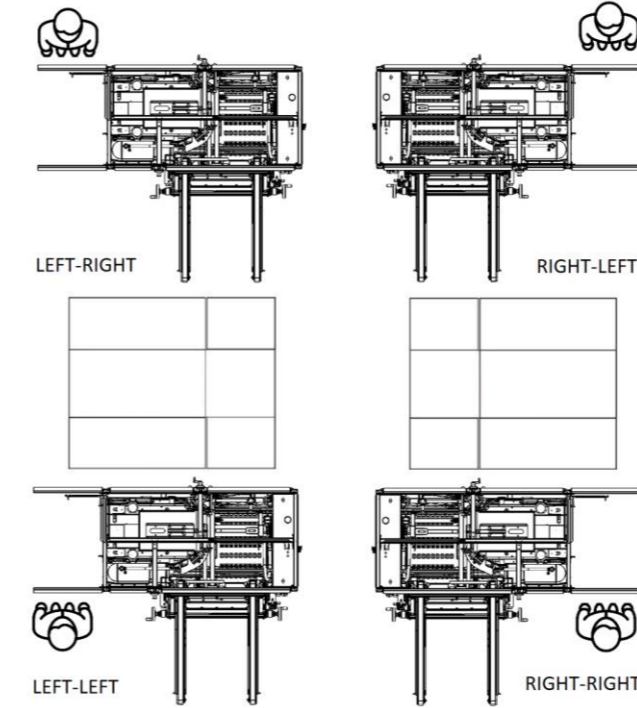
BoxMaster™

DATASHEET



LAYOUT

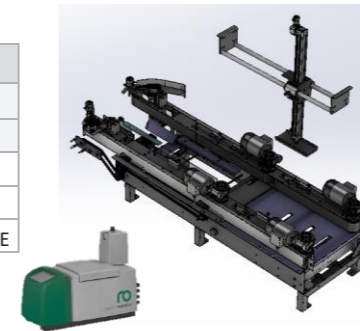
The position of the box storage and of the operator can fit any layout needs.



HOT-MELT CLOSURE

Closure by hot melt. ROBATECH® Hot Melt glue dispenser positioned on an external carriage with casters (other brands available upon request).

Power Supply	
380/400V – 50Hz - 3ph	
440V – 60Hz - 3ph	
Amps	4,5
Power kW	2,24
Phase	3Ph + N + PE



BOX REQUIREMENTS

Quality result of the taped box depends on the general box quality and dimensional accuracy, as well as the quality of tape used.

Box Types: FEFCO 0201 / 0200* – RSC / HSC*
 Flute Type: B, C, E
 Wall Type: Single and Double Wall

ENVIRONMENTAL CONDITIONS

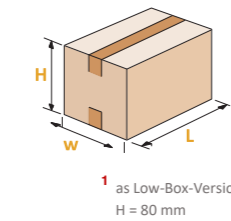
Maximum operating height (asi)	M	1000
Humidity range	%	20 - 80
Operating temperature	°C	5 - 40
Environmental brightness	LUX	N.A.
Maximum level of noise	dB	Depending on tape quality



SAFE • STRONG • SMART

BOX DIMENSIONS

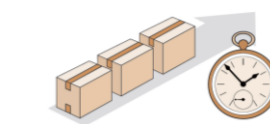
Two machine sizes are available to manage different box dimensions. Each size is available with low box version.



¹ as Low-Box-Version:
H = 80 mm

Box Dimensions	Normal		Big
	L (mm)	Min. 150	300
W (mm)	Min. 130	200	
	Max. 350	500	
H (mm)	Min. 150 ¹		
	Max. 450	500	

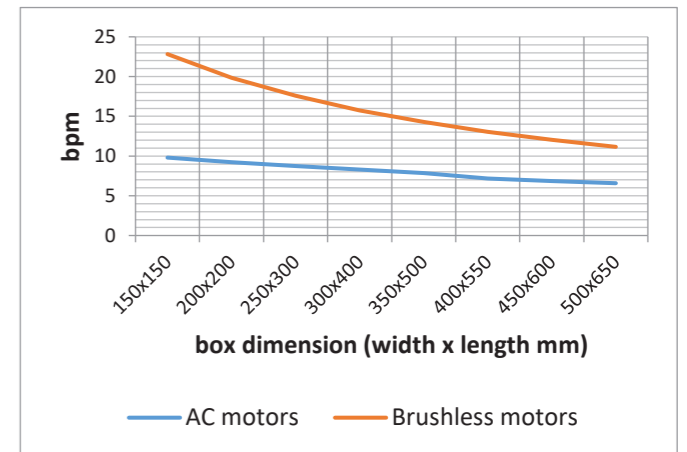
PRODUCTIVITY



Max. production capacity:
Up to 23* BPM

*Based on the smallest processable box and as Brushless Motors Version.

The standard version is equipped with AC motors, constant speed, to drive the two carriages, picking from box storage and pushing in the closure station. The high-speed version is equipped with brushless motors.

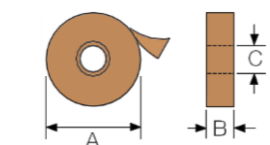


TAPE CLOSURE

Closure by PST tape applied with SIAT taping unit available on 50 mm (2") or 75 mm (3").

Base Material	PVC / OPP / PET / Paper*
Adhesive Type	Solvent / Hot Melt / Acrylic
Special Tape	Filament-Tape** / Safety-Seal-Tape***

*with limitations **special tape cutting blade required ***need of a test might be necessary



K11R / K12R	
A	Max. 410 mm
B	50 / 75 mm
C	76 mm

OPTIONS

- End break tape
- Full line photocell
- Tilting presser
- Higher boxes

MORE DETAILS

Videos and further information can be found on our website or SIAT Youtube channel.



SIAT.com

As a part of our policy of continuous improvement, we reserve the right to alter design and specifications without prior notice. This datasheet is for descriptive purpose only. Some of the items pictured in this brochure are optional and not standard equipment.